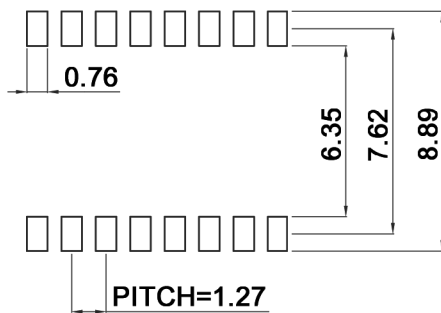


P.C. LAYOUT



Part No.	A
DHS 104 N	6.12
DHS 106 N	8.66
DHS 108 N	11.20
DHS 110 N	13.74

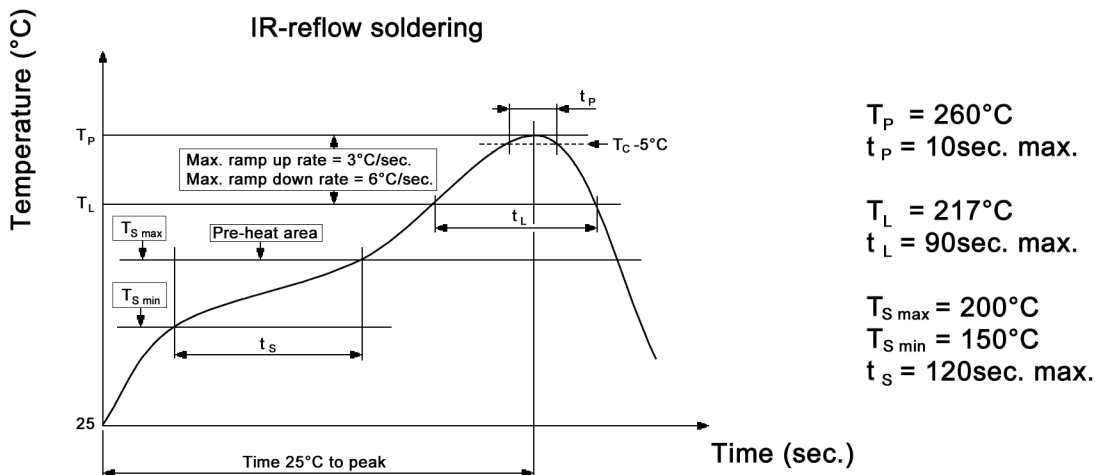
Compliance: RohS III (2015/863/EU)

Tolerances: ±0.2 mm	Date	Name	<h1>DHS 1xx N</h1>
	05/21	dr	
			<h2>30 46 34</h2>
			Page
			1/3
Modifications	Date	Name	

**knitter-switch**

**Specifications:**

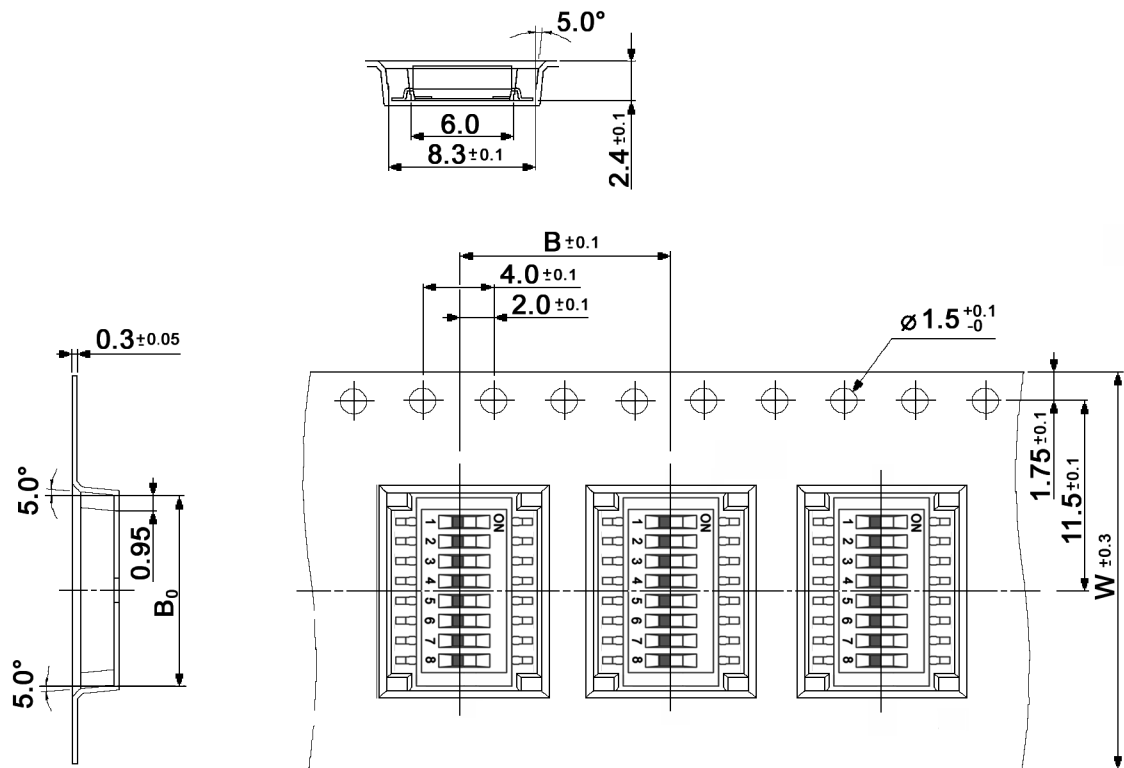
**Contact rating:** switching: 100mA, 6V; 25mA, 24V DC  
 non-switching: 100mA, 50V DC  
**Contact resistance:** 50mOhm max.  
**Insulation resistance:** 100MOhm min. at 500V DC  
**Dielectric strength:** 300V AC for 1 minute  
**Operating temperature:** -40°C to +105°C  
**Storage temperature:** -40°C to +85°C  
**Operating force:** 500 gf max.  
**Mechanical life:** 2 000 cycles  
**Electrical life:** 1 000 cycles  
**Sealing:** by protective tape, washable by aqueous detergents and isopropyl alcohol  
**Material:** Cover / base: PPS (UL94V-0), black  
 Actuator: PA46 (UL94V-0), white  
 Contact / terminal: 0.025µm gold plated over nickel  
 Tape: polyimide  
**Slider position delivered:** OFF  
**Soldering conditions:**



Compliance: RohS III (2015/863/EU)

Tolerances: ±0.2 mm	Date	Name	<b>DHS 1xx N</b>
	05/21	dr	
	<b>knitter-switch</b>		<b>30 46 34</b>
Modifications	Date	Name	Page 2/3

Packaging:



Part No.	W	Pcs. per Reel	B <sub>0</sub>	B
DHS 104 N	16.0	2 000	6.5	12.0
DHS 106 N	16.0	2 000	9.1	12.0
DHS 108 N	24.0	2 000	11.5	12.0
DHS 110 N	24.0	2 000	14.1	12.0

Compliance: RohS III (2015/863/EU)

Tolerances: $\pm 0.2$ mm	Date	Name	<h1>DHS 1xx N</h1>
	05/21	dr	
			<h2>30 46 34</h2>
Modifications	Date	Name	<b>knitter-switch</b>